



## Gamma

Josep Patsi

Floor lamp Gamma LED 4.3 LED warm-white 2700K ON-OFF Matte gold 293lm

### Technical features

- Luminaire total power: 4.3W
- Real lumens: 293
- Real lm/W: 68
- Correlated Colour Temperature (CCT): LED warm-white 2700K
- Lens / reflector angle: MEDIUM 34°
- Structure material: Aluminium
- Structure finish: Matte gold
- Driver Brand: HEP
- Voltage / frequency: 100-240V/50-60Hz
- Dimming protocol: ON-OFF
- Power Factor: 0.50
- Useful life: 50,000h L80B20
- Warranty: 5 años
- Easily recyclable luminaire



### Luminotechnic features

- CRI: 90
- MacAdam steps: 2
- Photobiological risk: RG1

Lampholder	Quantity	Light source power (W)
LED	1	3.2W

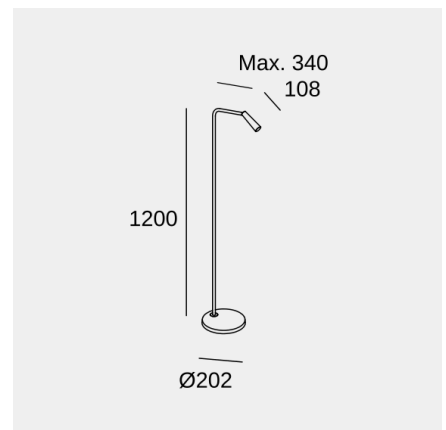


Image may not match reference. LedsC4 reserves the right to amend any of the product's components. The data related to flux, power and colour temperature may be subject to changes made by the manufacturer.



## Gamma

Josep Patsi

Floor lamp Gamma LED 4.3 LED warm-white 2700K ON-OFF Matte gold 293lm

## Logistics



x 1

Net weight (kg): 3.1

Packaged weight (kg): 4.55

Packaging: 330mm x 110mm x  
1300mm

Image may not match reference. LedsC4 reserves the right to amend any of the product's components. The data related to flux, power and colour temperature may be subject to changes made by the manufacturer.